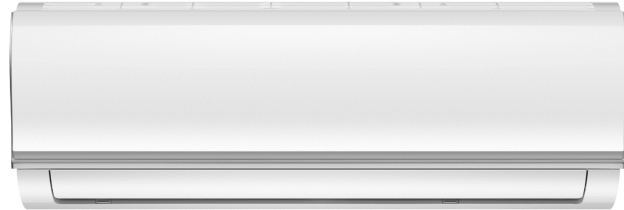


| | | | |
|---------------|--|---------------|--|
| Project Name: | | Approval: | |
| Location: | | Date: | |
| Engineer: | | Construction: | |
| Submitted to: | | Unit #: | |
| Submitted by: | | Drawing #: | |
| Reference: | | | |

| | |
|--------------------|-------------|
| Indoor unit model | B-SVH12SB-0 |
| Outdoor unit model | A-SVH12SB-0 |



PERFORMANCE DATA

| | | |
|------------------------------|---------|------------------------|
| Power supply | Ph-V-Hz | 115V~ 60Hz ,1Ph |
| Cooling | | |
| Capacity | Btu/h | 12000 |
| Input | W | 1368 |
| Rated current | A | 11.89 |
| EER | Btu/w | 8.8 |
| SEER | Btu/w | 16.5 |
| Heating at 47 | | |
| Capacity | Btu/h | 12000 |
| Input | W | 1212 |
| Rated current | A | 10.54 |
| COP | W/W | 2.90 |
| HSPF4 | | 9.4 |
| HSPF5 | | 7.7 |
| Electrical | | |
| MINIMUM CIRCUIT AMPACITY | A | 17 |
| MAX. FUSE | A | 20 |
| Connection wiring | | 16*4 AWG |
| Compressor | | |
| Model | | KSK103D33UEZ3(YJ) |
| Type | | ROTARY |
| Brand | | GMCC |
| Capacity | Btu/h | 10611 |
| Input | W | 790 |
| Rated current(RLA) | A | 12.53 |
| Locked rotor Amp(LRA) | A | ---- |
| Thermal protector | | ---- |
| Thermal protector position | | ---- |
| Refrigerant oil/oil charge | ml | ESTER OIL VG74 310ml |
| SYSTEM DATA | | |
| Design pressure | PSIG | 550/340 PSIG |
| Refrigerant type | oz | R410A/25.75oz |
| Refrigerant precharge | ft | 25 |
| Additional charge per ft. | oz | 0.161 |
| Liquid side/ Gas side | mm(in) | Φ6.35/Φ9.52(1/4"/3/8") |
| Max. refrigerant pipe length | ft | 82 |
| Max. difference in level | ft. | 33 |

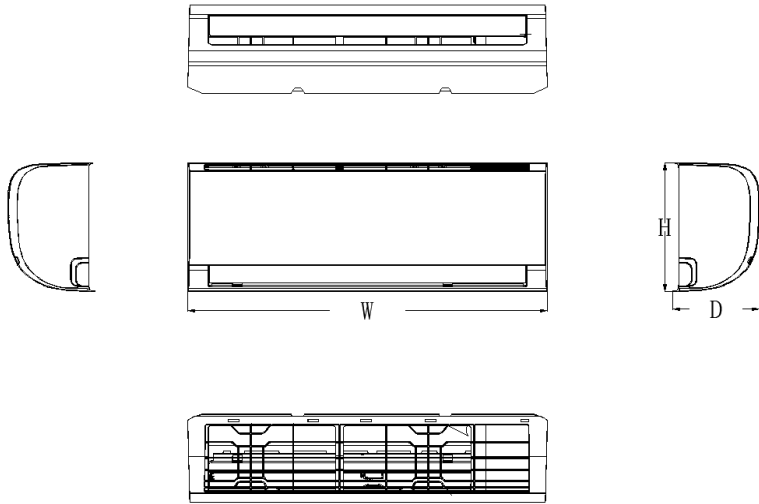
INDOOR UNIT DATA

| | | |
|-----------------------------------|-------|----------------------|
| Indoor fan motor | | |
| Model | | B-SVH12SB-0 |
| Brand | | Welling |
| Input | | 46 |
| RLA | A | 0.39 |
| LRA | A | 0.54 |
| Winding Resistance | Ω | 75/150 |
| Capacitor | uF | 3 |
| Speed(Hi/Mi/Lo) | r/min | 1200/950/750 |
| Air flow & Noise level | | |
| Indoor air flow (Hi/Lo) | CFM | 317.65/241.18/176.47 |
| Indoor noise level (Hi/Lo) | dB(A) | 41/34.5/27.5 |
| Indoor unit | | |
| Dimension(W*D*H) | inch | 31.69x7.64x11.22 |
| Packing (W*D*H) | inch | 34.25x10.63x14.37 |
| Net/Gross weight | lbs. | 17.20/22.27 |

OUTDOOR UNIT DATA

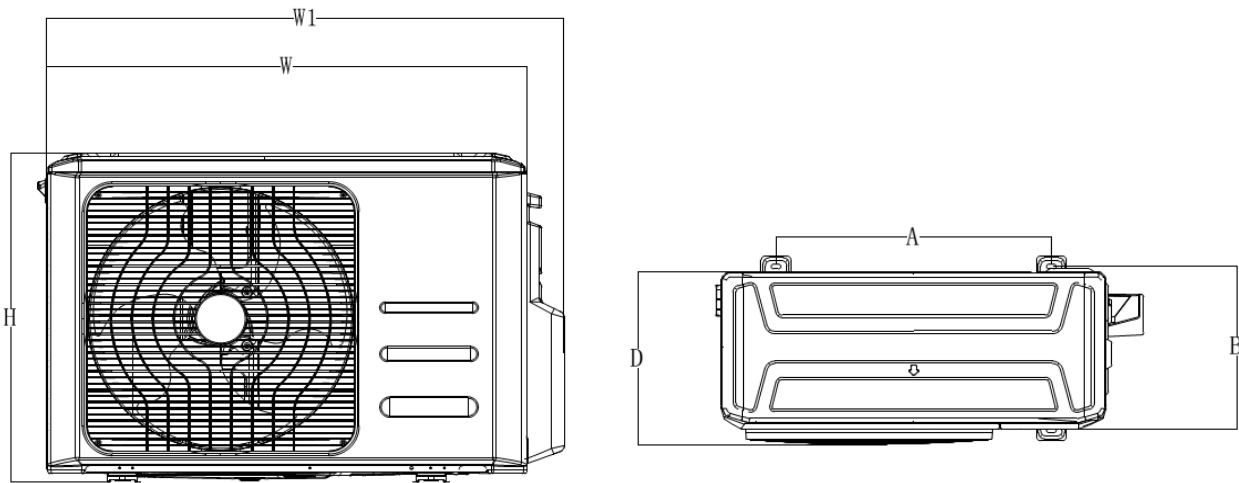
| | | |
|-----------------------------------|--------|-------------------|
| Outdoor fan motor | | |
| Model | | A-SVH12SB-0 |
| Brand | | Welling |
| Input | | 55.5 |
| RLA | A | 0.7 |
| LRA | A | - |
| Winding Resistance | Ω | - |
| Capacitor | uF | - |
| Speed | r/min | 800/700/600 |
| Air flow & Noise level | | |
| Outdoor air flow | CFM | 1058.82 |
| Outdoor noise level | dB(A) | 55 |
| Outdoor unit | | |
| Dimension(W*D*H) | inch | 28.35x10.63x19.49 |
| Packing (W*D*H) | inch | 32.87x11.81x21.26 |
| Net/Gross weight | lbs. | 54.67/58.42 |
| Operation temperature | | |
| Indoor(cooling/ heating) | Deg. F | 17~32/0~30 |
| Outdoor(cooling/heating) | Deg. F | 5~122/5~86 |
| Application area | sq.ft | 172-252 |

INDOOR UNIT



| Model | W (inch) | D (inch) | inch | | | | |
|-------------|----------|----------|------|--|--|--|--|
| B-SVH12SB-0 | 31.69 | 7.64 | 1.22 | | | | |

OUTDOOR UNIT



| Model | W (inch) | D (inch) | inch | | | | W1 (inch) | A (inch) | B (inch) |
|-------------|----------|----------|------|--|--|--|-----------|----------|----------|
| A-SVH12SB-0 | 30.31 | 11.81 | 1.85 | | | | 31.10 | 17.80 | 10.08 |